

Permanent autonomous emergency lighting unit

# CISA-04 LED

CISA-04 LED 1.5h; CISA-04 LED 3h




## About the product

CISA-04 LED is an indoor emergency luminaire that ensures the lighting for evacuation from buildings in case of power failure.

Through the incorporated LED technology, the product ensures both a significant decrease of energy expenses, and minimal maintenance costs, referring the lifetime of LED as light sources.



EN 60598	RoHS	IP40		-5°C÷ +35°C	2W LED Module
----------	------	------	---	-------------	---------------

## **Application**

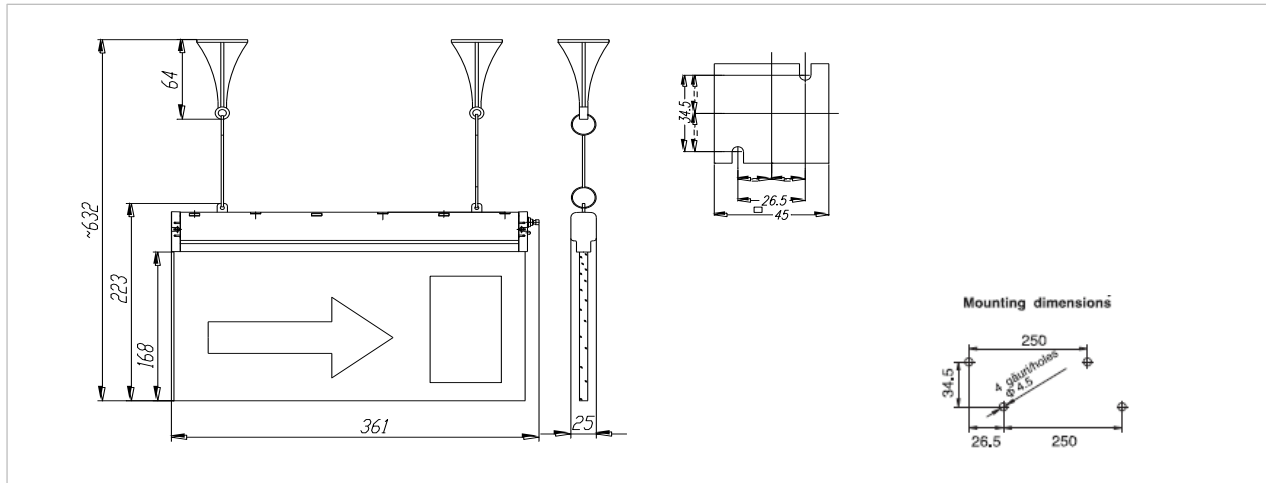
Permanent emergency lighting for: exits, various paths and objectives from industrial buildings, public places and institutions.

## **Light sources**

- LED module, colour temperature white-daylight 6500K (cool-white), CRI $\geq$ 70, with long lifetime L70B50 50.000 hours at Ta=25°C.

## **Advantages**

A compact, economical luminaire, designed for indoor use. The luminaire operate exclusively on LEDs. Energy savings. Easy installation and maintenance. Reduced maintenance costs. There are not necessary interventions for lamp replacement during operation.



Product type	L [mm]	l [mm]	h [mm]	m [mm]
CISA-04	361	223	25	250

### Photometric data CISA-04 LED

After functioning 1.5h/3h in autonomous regime, the luminance on the zone with foil must be minimum  $4\text{cd}/\text{m}^2$ .  
 When turning on in autonomous regime, the luminance of the luminaire on the zone with foil (green colour background) is adequate:  $6\text{cd}/\text{m}^2$ .

The luminance on the zone with foil (green colour background) after 1.5hours/3hours of operating in emergency mode is adequate:  $5\text{cd}/\text{m}^2$ .

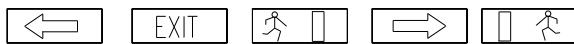
The ratio of the background's luminances and the sign luminance must be at least 10:1

The ratio of the background's luminances and the sign luminance is adequate and it is 15: 1 when switching in autonomous operating regime.

The ratio of the background's luminance's and the sign luminance is adequate and it is 16.6: 1 after operating 1.5h/3h in emergency autonomous mode.

## Description

- Housing, side lids and fastening supports from PC, display board from PMMA.
- The electronic circuit charges the batteries and also ensures the switching of the luminaire. to the emergency mode.
- Accumulators: 3.6V/600 mAh sealed, for 1.5 hours autonomy, or respectively 3,6V/1000mA for 3 hours autonomy.
- Accumulators recharging time: 24 hours.
- The luminaire is equipped with a LED that signals the fact that the battery is recharging, and with a test button to verify the accumulator's charging state.
- The emergency luminaire has self-adhesive sheets with various graphics – white on green background.



- The distance of visibility: 30m.
- Colour: white.

## Mounting

- Suspended.
- The construction of the luminaire CISA-04 makes it suitable for mounting on a normally flammable surface, F marking.

## Technical features

- Rated voltage: 230V/50Hz.
- Environment temperature range: -5°C...+ 35°C.
- Relative humidity: till 80% at the temperature of + 20°C.
- Jolt resistance according to SR EN 60068-2-291000 ±10 jolts, acceleration of 10g, and duration of impulse: 16ms
- Mechanical impact resistance: IK02.
- The luminaire is manufactured according to the requirements of the standards EN 60598-1, SR EN 60598-2-22.

## Compliance with the European Directives

- Low Voltage Directive.
- Electromagnetic Compatibility Directive.
- RoHs Directive. WEEE Directive.

The product could be realised in more variants function of the autonomy.

Product type	Product code	Rated voltage [V]	Freq. [Hz]	Accumulator	Degree of protection	Class of protection against electric shock	Weight [Kg]	Autonomy
CISA-04 LED 1x2W 1.5h	21411043	230	50	Ni-Cd 3.6 V/ 600 mAh	IP40	II	1.0	1.5h
CISA-4LED 1x2W 3h	21411058	230	50	Ni-Cd 3.6 V/ 1000 mAh	IP40	II	1.1	3h

1.5h = 1.5 hours, 3h = 3 hours

The tolerance of the initial active power is  $\pm 10\%$  from the specified value. These values were measured at the ambient temperature of 25°C, unless is not mentioned another temperature.

ELBA S.A improves continuously its products. We reserve the right to change the specifications in the interest of improving our products without prior notifications or public announcement. © ELBA S.A.