

Residential and street luminaire
CRIOTEK TR LED

CRIOTEK-01 TR LED, CRIOTEK-02 TR LED, CRIOTEK-03 TR LED



About the product


CRIOTEK LED family of luminaires represents the solution for the challenges that the authorities are confronted of – to ensure the people security, saving on the same time energy, and decreasing the maintenances costs.

The luminaire CRIOTEK LED combines a distinct design with high quality lighting, and fits perfectly in the urbane architecture.

CRIOTEK is a range of modern luminaires for road lighting with last generation lighting sources with increased life time, being equipped with high performance LED modules.

It is energy efficient and has a positive impact on the environment.



| | | | | | |
|----------|------|------|---|---------------|----------------|
| EN 60598 | RoHS | IP66 |  | -30°C ÷ +45°C | 25W ÷ 137W LED |
|----------|------|------|---|---------------|----------------|

The high performance optical system with uniform light distribution allows the replacement of HID solutions without compromising the spacing, the mounting height and the quality of the light

Does not require interventions for lamps replacements, and the metallic housing ensures the recycling. The mounting on console and the dimensional variants allows flexible arrangements.

Application

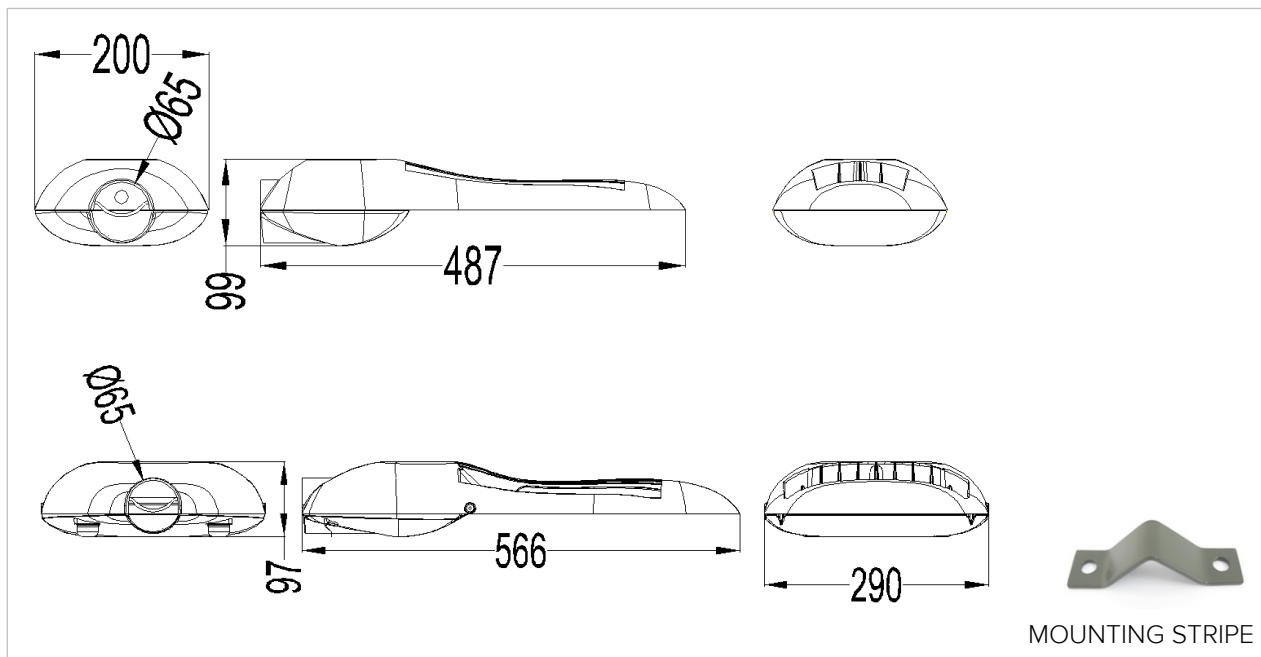
Road and street lighting for: major, local, secondary roads, with ME2, ME3, ME4, ME5, ME6, S1÷S6 lighting class according to SR EN 13201. Residential lighting including alleys, sidewalks, parks, pedestrian crossings car parks, railway stations, bus terminals.

Light source

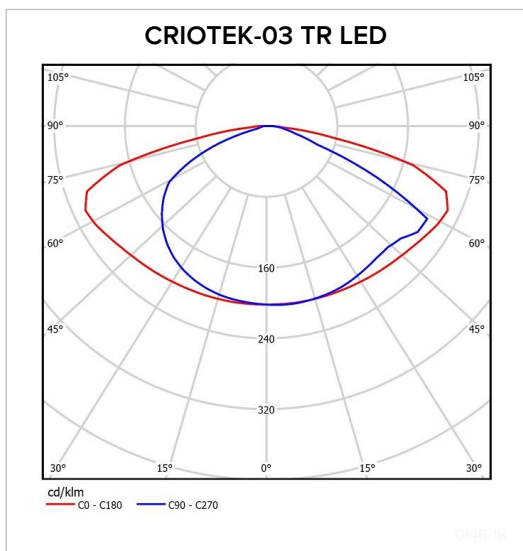
- Power LEDs with specialized optics for road and residential lighting, with colour temperature neutral-white 4000K, CRI \geq 70, with a long lifetime L70B50 of minimum 60.000 hours at Ta=25°C.
- On request the luminaire could be equipped with LEDs with colour temperature cool-white 5700K CRI \geq 70.
- The system with LEDs included in the product could replace or is equivalent with:
 - High pressure mercury lamps HME 80W, high pressure sodium lamps HST 50W
 - Metal halide lamps HIT 50W, high pressure sodium lamps HSE 70W
 - High pressure mercury lamps HME 250W, metal halide lamps HIT 100W, high pressure sodium lamps HST 100W,
 - High pressure mercury lamps HME 250W, metal halide lamps HIT 150W, high pressure sodium lamps HST 150W, HSE 150W

Advantages

A modern luminaire, with LEDs as light sources. Reduced energy consumption. Longer lifetime. Environmentally friendly. Ideal for replacement of street luminaires with compact fluorescent lamps, sodium lamps or metal halide lamps. Reduced maintenance costs. There are not necessary interventions for light sources replacements during exploitation.



| Product type | L [mm] | l [mm] | h [mm] | m [mm] |
|----------------|--------|--------|--------|-----------------------------------|
| CRIOTEK-01 LED | 487 | 200 | 99 | Φ60-65mm with stripes Φ48-60mm |
| CRIOTEK-02 LED | 566 | 290 | 97 | Φ60-65mm with stripes Φ48-60mm |
| CRIOTEK-03 LED | 566 | 290 | 97 | Φ60-65mm with stripes Φ48-60mm |



Photometric data CRIOTEK-03 TR LED

L.O.R.: 94%

Light distribution diagram [Cd/1000lm]

Description

- High-pressure die-cast aluminium housing painted in electrostatic field.
- The optical system designed to meet the requirements of the street lighting standard EN 13201, contains the power LEDs with specialized optics for road lighting.
- Gear (LED driver) included in the product and manufactured according to the specific standards.
- Flux dimming (DIM) analogical 0-10V.
- Removable gear tray.
- Surge Protection: 6KV.
- Colour: grey.

Variants on request

- Could be equipped with LEDs with colour temperature cool-white 5700K CRI \geq 70.

Mounting

- The mounting system, from the end of the luminaire body, allows the mounting on console on pipe $\Phi 60$ - $\Phi 65$ mm and with stripe(s) $\Phi 48$ -60mm .
- CRIOTEK-01 LED: Wind surface max.=0.048 m²;
CRIOTEK-02, CRIOTEK-03 LED: Wind surface max.=0.054 m²;
- Recommended mounting height: max 5-15m
CRIOTEK-01 LED: 5-6m, CRIOTEK-02 LED: 6-8m, CRIOTEK-03 LED: 9-10m.

Technical features

- Rated voltage: 230V/50Hz.
- Surrounding temperature range: -30°C...+ 45°C.
- Relative humidity: till 80% at the temperature of + 20°C.
- The luminaire is manufactured according to the requirements of the standards: SR EN 60598-1, SR EN 60598-2-3, SR EN 62031.

Compliance with the European Directives

- Low Voltage Directive.
- Electromagnetic Compatibility Directive.
- RoHS Directive, WEEE Directive.

The product could be realised in more variants functions of the LED's number and respectively active power.

| Product type | Product code | Rated voltage [V] | Active power [W] | Power factor | Degree of protection | Class of protection against electric shock | IK | Weight [Kg] | Total initial luminaire flux [lm] | Total luminous system efficiency [lm/W] |
|---|--------------|-------------------|------------------|--------------|----------------------|--|------|-------------|-----------------------------------|---|
| CRIOTEK-01 TR 16LED | | | | | | | | | | |
| CRIOTEK-01 TR 16LED 3385LM 4K 70CRI 25.1W | 35617290 | 230 | 25.1 | ≥0.96 | IP66 | I | IK09 | 2.1 | 3385 | 135 |
| CRIOTEK-01 TR 16LED 4164LM 4K 70CRI 30.5W | 35617291 | 230 | 30.5 | ≥0.96 | IP66 | I | IK09 | 2.1 | 4164 | 137 |
| CRIOTEK-01 TR 16LED 5767LM 4K 70CRI 44.8W | 35617292 | 230 | 44.8 | ≥0.96 | IP66 | I | IK09 | 2.1 | 5767 | 129 |
| CRIOTEK-02 TR 32LED | | | | | | | | | | |
| CRIOTEK-02 TR 32LED 8092LM 4K 70CRI 60W | 35617293 | 230 | 60 | ≥0.96 | IP66 | I | IK09 | 4.8 | 8092 | 135 |
| CRIOTEK-02 TR 32LED 10968LM 4K 70CRI 80W | 35617294 | 230 | 80 | ≥0.96 | IP66 | I | IK09 | 4.8 | 10968 | 137 |
| CRIOTEK-03 TR 48LED | | | | | | | | | | |
| CRIOTEK-03 TR 48LED 15208LM 4K 70CRI 115W | 35617295 | 230 | 115 | ≥0.96 | IP66 | I | IK09 | 4.8 | 15208 | 132 |
| CRIOTEK-03 TR 48LED 17527LM 4K 70CRI 125W | 35617296 | 230 | 125 | ≥0.96 | IP66 | I | IK09 | 4.8 | 17527 | 140 |
| MOUNTING STRIPE FOR Φ 48-60mm CRIOTEK 01 PS. | 03116864 | - | - | - | - | - | - | 0.1 | - | - |
| MOUNTING STRIPES KIT FOR Φ 48-60mm CRIOTEK 02-03 PS. | 03216864 | - | - | - | - | - | - | 0.2 | - | - |

The tolerance of the initial flux and active power is $\pm 10\%$ from the specified value. These values were measured at the ambient temperature of 25°C, unless is not mentioned another temperature.

ELBA S.A improves continuously its products. We reserve the right to change the specifications in the interest of improving our products without prior notifications or public announcement. © ELBA S.A.