

Water-proof, dust-proof, impact resistant luminaire

FIPAD-06 ECOLED G2

FIPAD-06 ECOLED G2 4K 0.6M 1900LM 18W CON2

FIPAD-06 ECOLED G2 4K 1.2M 3000LM 26W CON2

FIPAD-06 ECOLED G2 4K 1.5M 5000LM 36W CON2



About the product

The new luminaire FIPAD-06 LED, with watertight polycarbonate diffuser is ideal for use in harsh environments where it is required protection against vapour, water, and dust.


The opal diffuser ensures the visual comfort and quality light.

Being equipped with medium power LED modules, FIPAD-06 LED offers both reduced power consumption and low maintenance costs giving the possibility of replacement of fluorescent solutions without compromising the colour of the light.

The compact and economical design provides perfect integration with the environment.

The IP65 protection means for FIPAD-06 LED sealing gasket and polycarbonate or stainless steel clips and



EN 60598	RoHS	IP66	IK08 corp PC IK09 disp. PC	 -25°C ÷ +35°C	18W 26W 36W LED
----------	------	------	-------------------------------	--	-----------------

enable it to be used in damp places such as industry, warehouses, and sport areas.

Application

General indoor for humid environments with incombustible dust: industrial halls, warehouses, sport areas, workshops.

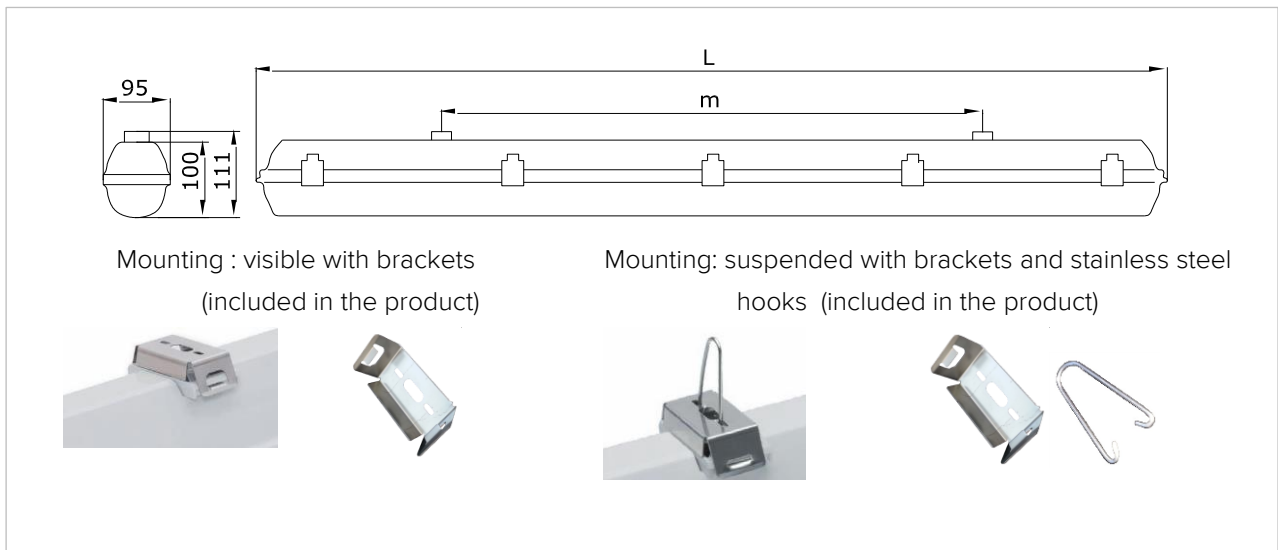
Covered outdoor areas (only under roofs, covers, cupolas that protect the luminaires against solar rays): railway stations, bus stations, waiting halls, garages, underground parkings, subway tunnels, covered storage areas, tunnels, subways, corridors, staircases.

Light source

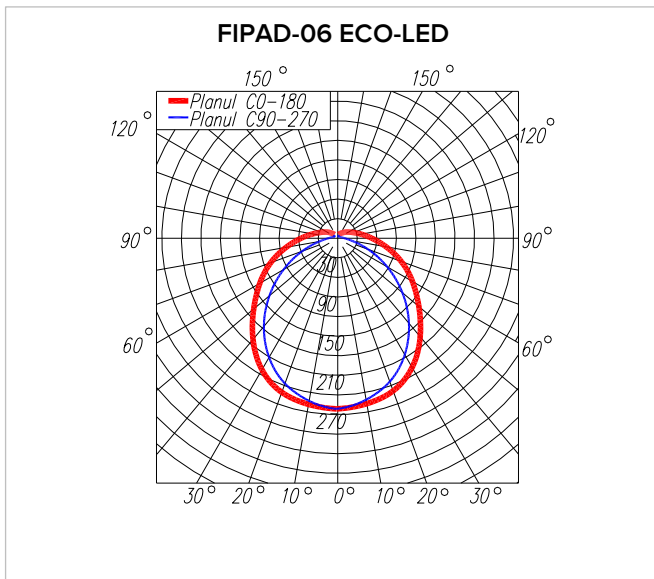
- Medium power LEDs, colour temperature or neutral-white 4000K, lifetime L70B50 approximately 50.000 ore at Ta=25°C, CRI: ≥80.
- The LED system included in the product could replace or is equivalent with fluorescent lamps T8 Ø26mm, T5 Ø16mm.

Advantages

Economical, compact luminaire designed for use in harsh environments where robustness and performance are key features. Operates exclusively with LED, and makes it the best option for damp areas. Energy savings. It has easy installation and maintenance. Complies in full with the standards for IP66 protection – provides protection against dust and moisture and has high impact resistance IK08. Reduced maintenance costs. There are not necessary interventions for lamp replacements during exploitation.



Product type	L [mm]	m [mm]	l [mm]	h [mm]
FIPAD-06 ECOLED G2 4K 0.6M	662	350	95	111
FIPAD-06 ECOLED G2 4K 1.2M	1272	700	95	111
FIPAD-06 ECOLED G2 4K 1.5M	1572	940	95	111



Photometric data FIPAD-06 ECO-LED
 CIE: 44 74 91 92 87
 UTE: 0.80E+0.07T
 Light distribution diagram [Cd/1000lm]

Description

- Light grey polycarbonate body, UV stable, resistant to impact, dust and moisture.
- Translucent polycarbonate diffuser for an optimal light distribution.
- White painted steel sheet gear rail.
- Polyamide with glass fibre clips that remains attached to the body when the luminaire is open.
- Polyurethane foam sealing gasket.
- Supply wire diameter: $\Phi 8 \div \Phi 12$ mm.
- Distance part made of polyamide with glass fibre.
- Rapid connection kit.
- Gear (electronic driver) included in the product and manufactured according to the specific standards.
- Colour grey.

Variants on request

- On request the luminaire could be equipped with:
 - stainless steel clips
 - PMMA body
 - screws for locking the cover against unauthorized opening for both plastic stainless steel clips
- Note. The options could be combined function of the client request

Mounting

- Visible on ceiling or wall surface with screws and stainless brackets included in the product.
- Suspended with stainless steel hooks included in the product.
- When the luminaires are exposed to regular contacts with chemicals suspended in atmosphere please contact the manufacturer for advice.

Technical features

- Rated voltage: 230V/50Hz.
- Environment temperature range: $-25^{\circ}\text{C} \dots + 35^{\circ}\text{C}$
- Relative humidity: 80% at the temperature of $+ 20^{\circ}\text{C}$.
- Glow-wire test: 850°C PC body PC diffuser, 650°C PMMA diffuser
- Mechanical impact resistance: IK08 (IK08 body, IK09 diffuser).
- Jolt resistance according to SR EN 60068-2-291000 ± 10 jolts, acceleration of 10g, and duration of impulse: 16ms.

- The luminaire is manufactured according to the requirements of the standards SR EN 60598-1, SR EN 60598-2-1, SR EN 62031.

Compliance with the European Directives

- Low Voltage Directive.
- Electromagnetic Compatibility Directive.
- RoHS Directive, WEEE Directive.

The product could be realised in more variants functions of the length, respectively power, LED's performances.

Product type	Product code	Rated voltage [V]	Active power [W]	Power factor	Protection degree	Class of protection against electric shock	IK	Weight [Kg]	Total initial flux net luminaire [lm]	Total luminous efficiency system [lm/W]
FIPAD-06 ECOLED G2 4K 0.6M 1697LM 18W CON2	23418235	230	18	≥0.93	IP66	I	IK08	1.3	1697	94
FIPAD-06 ECOLED G2 4K 1.2M 3252LM 26W CON2	23418236	230	26	≥0.93	IP66	I	IK08	2.3	3252	125
FIPAD-06 ECOLED G2 4K 1.5M 5000LM 36W CON2	23418237	230	36	≥0.95	IP66	I	IK08	3.0	5000	139

Data subject to change. The values are preliminary and could be modified due to laboratory results.

The tolerance of the initial flux and active power is ±10% from the specified value. These values were measured at the ambient temperature of 25°C, unless is not mentioned another temperature.

Accessories

RAPID CONNECTOR 3 poles
1 connector- included in the product



*Note. For this variant the connection cables must be solid mono-wire with the section up to 2.5mm².

VISIBLE ON SURFACE MOUNTING
with brackets (included in the product)



Brackets for visible mounting (set of 2 pcs. / product).

SUSPENDED MOUNTING
with brackets and stainless steel (set of 2 pcs. / product) (included in the product)



Options

SCREWS FOR LOCKING AGAINST
UNAUTHORIZED OPENING
To be ordered



Both plastic and stainless steel clips can be additionally fixed to the luminaire by screws

INOX (STAINLESS STEEL) CLIPS
To be ordered



INOX clips
(set of 6 pcs for 600mm)
(set of 10 pcs for 1200mm)
(set of 12 pcs for 1500mm)

Note. The options could be combined function of the client request

ELBA S.A improves continuously its products. We reserve the right to change the specifications in the interest of improving our products without prior notifications or public announcement. © ELBA S.A.