

Indoor projector. Industrial high bay projector.

IEV-08 LED GEN2

IEV-08 GEN2 256LED, IEV-08 GEN2 192LED




About the product

IEV-08 LED - is a range of products designed for general indoor lighting of sport areas, large areas, warehouses, and which are equipped with the last generation LEDs and efficient optical systems. That competitive solution offers significant energy savings and a long lifetime.

The combination of the last generation LED technology and the best quality optical systems made from IEV LED a flexible solution, easy to install no matter the location that creates a perfect light effect and could be used in combination with different lighting control systems



EN 60598	RoHS	IP65 IP65 with EM1H		-40°C÷+50°C +5°C÷ +40°C with emergency kit	91W÷146W LED
----------	------	------------------------	---	---	--------------

Application

Lighting for indoor sport areas and large spaces.

Indoor lighting for ample indoor spaces: industrial plants, warehouses, commercial spaces.

On request - Emergency lighting for evacuation type mixt - permanent.

Light source

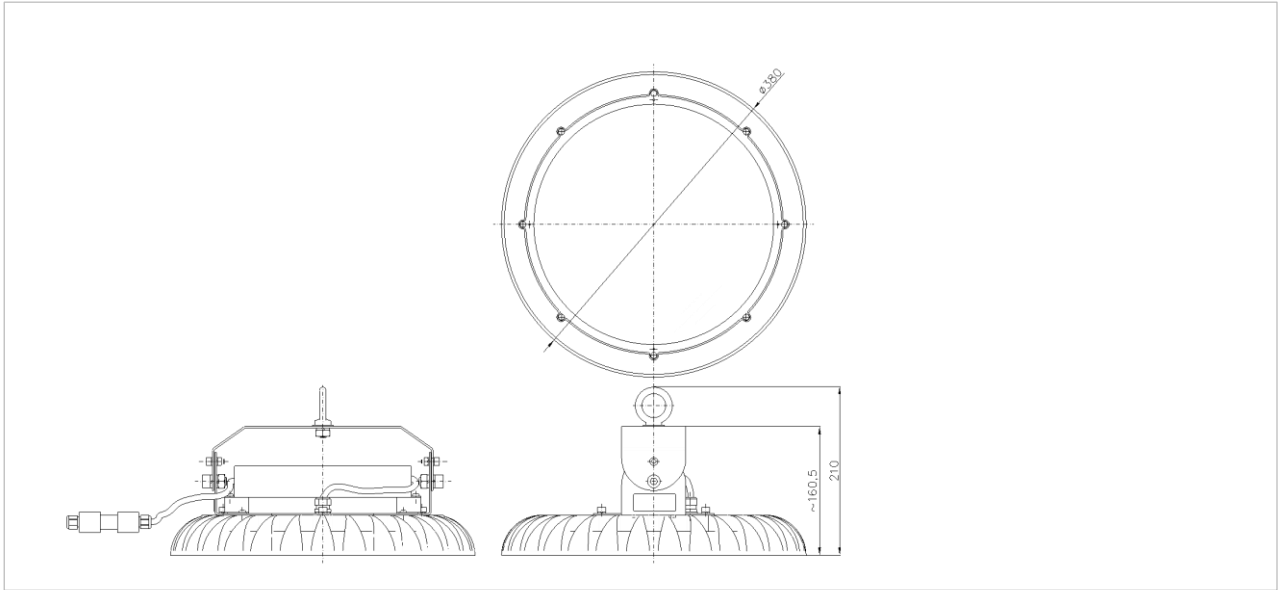
- Last generation medium-power LEDs, colour temperature neutral-white 4000K CRI=80, CRI=70, with a long lifetime, at Ta=25°C:

B10			B50		
L90	L80	L70	L90	L80	L70
35.000 ore	>75.000 ore	>121.000 ore	40.000 ore	>87.000 ore	>140.000 ore

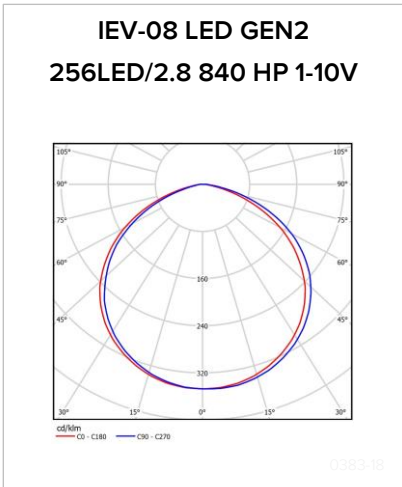
- On request the product could be equipped with LEDs with colour temperature cool-white 5700K, or warm-white 3000K, CRI=70.
- The LED system included in the product could replace or is equivalent with projectors with:
 - high pressure mercury lamps HME 400W, high pressure sodium lamps HSE 250W, high pressure metal halide lamps HIT 250W.
 - high pressure mercury lamps HME 250W, high pressure sodium lamps HST 150W, HSE 150W, high pressure metal halide lamps HIE 150W.

Advantages

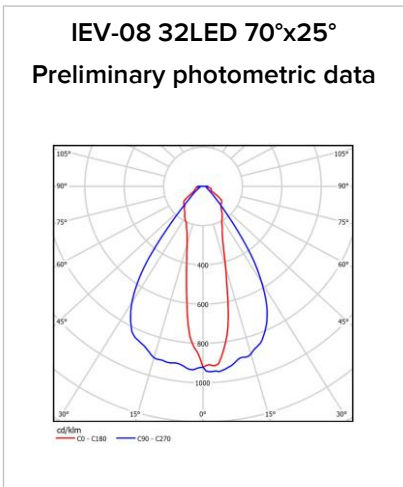
High quality light. Robust construction. Easy to install and easy to maintain. There are not necessary interventions for lamp replacements during exploitation. The use of LED's ensures both a long lifetime of and reduced power consumption. Environment friendly



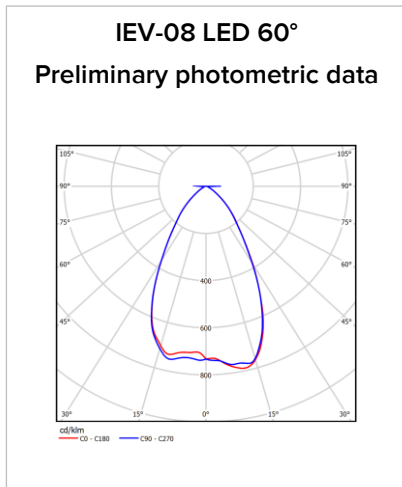
Product type	D [mm]	H [mm]	H1 [mm]
IEV-08 LED	Ø 380	160.5	210



Photometric data IEV-08 LED GEN2
256LED/2.8 840 HP 1-10V
21465lm
L.O.R.=91%
Light distribution diagram [Cd/1000lm]



Photometric data IEV-08 32LED
70°x25°
Light distribution diagram [Cd/1000lm]



Photometric data IEV-08 LED 60°
Light distribution diagram [Cd/1000lm]

Description

- Die cast aluminium body, painted.
- Diffuser from transparent secured glass.
- The optical system contains the power LED's that ensures a wide or narrow light distribution.
- LED driver.
- Mounting system with tilting facility for easy orientation of the luminous flux with index with 20° step.
- Gear (LED driver) included in the product and manufactured according to the specific standards.
- Colour: grey.

Variants on request

- Suspension 3m P03118894.
- With dimmable driver - analogical 0-10V.
- Equipped with LEDs with other colour temperature.
- With protection grid P03117364.
- Function of the optical system there could be obtained narrow or wide luminous distributions: 70°x25°(between racks), 90° (wide), 60° (medium), 27° (small).
- On request the product could be equipped with emergency lighting kit (EM = emergency) for 1 hour (1H).
- The variant with emergency lighting (EM - emergency) mixt-permanent:
 - The inverter ensures both the accumulators charging and the switch to the emergency functioning mode of the luminaire
 - Accumulators: NiCd 4.8V/1.6Ah that ensure the autonomy in emergency mode of 1 hour.
 - The charging time of the accumulators: 24 ore (24h)
 - On the emergency mode the LEDs are powered from accumulators and ensure a reduced lighting that is needed for room evacuation. The LED flux in emergency mode 587lm and the luminaire flux in emergency mode is 545lm.
- With dimmable driver - DALI.
- With PIR sensor (for the variant equipped with DALI driver)
- With movement sensor (for the variant equipped with DALI driver)
- With kit DALI PROXIMITY SENSOR - Compact control module with ambient light sensor and motion sensor for 10 products. The product needs separate wiring. The sensor is mounted outside the product. Mounting height max.16m. (for the variant equipped with DALI driver)

Mounting

- Visible, on surface, through 2 screws M10.
- Suspended on hook.

- Mounting system with tilting facility for easy orientation of the luminous flux with index with 20° step.

Technical features

- Rated voltage: 230V/50Hz
- Surrounding temperature range:
 - -40°C...+50°C
 - +5°C ÷ + 40°C for the variant emergency lighting kit
- Relative humidity: 80% at the temperature of +20°C.
- Saline fog: 48 hours according to SR EN 60068-2-11.
- Jolt resistance: 1000 ±10 jolts, acceleration of 10g, duration of impulse: 16ms, according to SR EN 60068-2-29.
- The luminaire is manufactured according to the standards: SR EN 60598-1, SR EN 60598-2-1, SR EN 62031, SR EN 60598-2-5.

Compliance with the European Directives

- Low Voltage Directive
- Electromagnetic Compatibility Directive.
- RoHS Directive. WEEE Directive

The product could be realised in more variants functions of the colour temperature of the LEDs and light distribution type.

Product type	Product code	Rated voltage [V]	Active power [W]	Power factor	Protection degree	Class of protection against electric shock	IK	Weight [Kg]	* Total initial net flux [lm]	*Total luminous net efficiency [lm/W]
IEV-08 GEN2 256 LED/2,8 840 HP 1-10V	33522021	230	143	≥0.97	IP65	I	IK08	7.5	21465	150
IEV-08 GEN2 256 LED/2,8 840 LC	33522023	230	146	≥0.99	IP65	I	IK08	7.5	21439	147
IEV-08 GEN2 256 LED/1,8 840 HP	33522025	230	91	≥0.98	IP65	I	IK08	7.5	14101	155
IEV-08 GEN2 192 LED/2,4 840 LC	33522027	230	92	≥0.98	IP65	I	IK08	7.5	13886	151
Accessories										
Grid	03117364	-	-	-	-	-	-	0,5	-	-
Suspension 3m	03118894	-	-	-	-	-	-	0.3	-	-

* At $t_a=25^{\circ}\text{C}$, 840 = 4000K 80CRI

On request, function of the optical system there could be obtained narrow or wide luminous distributions: 70°x25°, 90°, 60°, 27°.

The tolerance of the initial flux and active power is $\pm 10\%$ from the specified value. These values were measured at the ambient temperature of 25°C, unless is not mentioned another temperature.

ELBA S.A improves continuously its products. We reserve the right to change the specifications in the interest of improving our products without prior notifications or public announcement. © ELBA S.A.