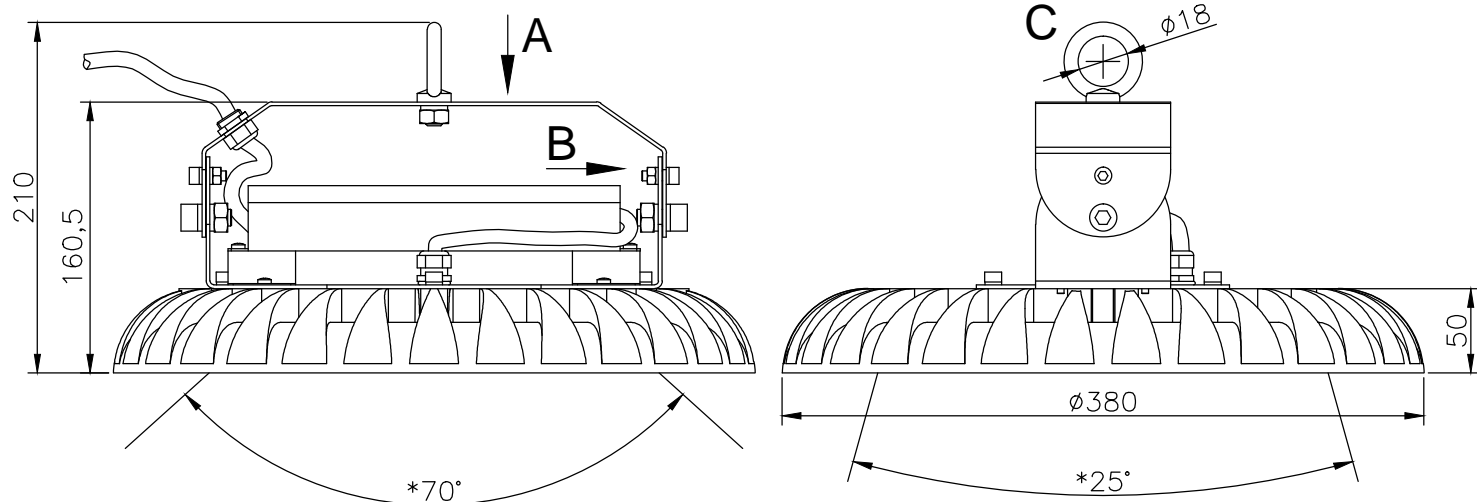


# IEV-08 LED GEN2 - visible mounting

## Mounting and operating instructions

											Compliance:
--	--	--	--	--	--	--	--	--	--	--	-------------

IEV-08 GEN2 192LED/2.4 840 LC	●	-40°C...+50°C	6,6 kg	~230V	92W	65	LED	●	0.96	0.11m <sup>2</sup>	IK 08	●	EN 60598-1/2-5
IEV-08 GEN2 256LED/2.8 840 LC	●	-40°C...+50°C	6,6 kg	~230V	146W	65	LED	●	0.96	0.11m <sup>2</sup>	IK 08	●	EN 60598-1/2-5

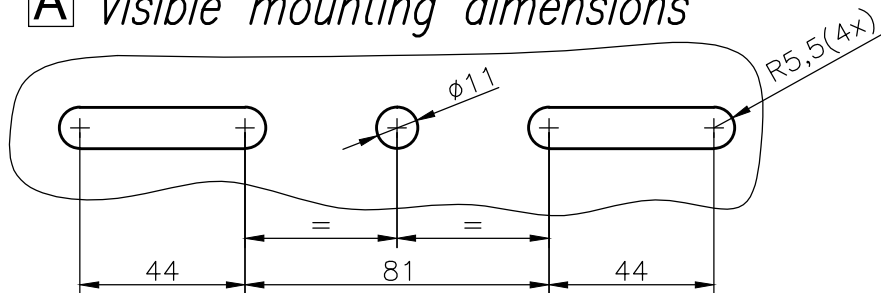


\* special opening 70°x25° – to light the area between shelves.

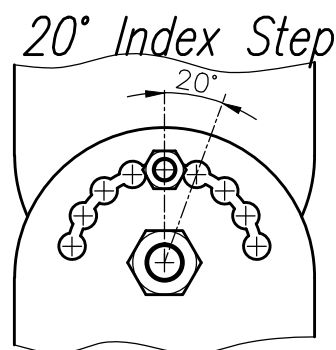
Opening the optical compartment or apparatus compartment void the warranty. We recommend blowing / wiping of dust the luminaire housing every 6 months.

The product will be mounted with 2 screws M10 5.8, 2 spring washers MN10 and 2 flat washers A10. Tightening torque 12 Nm. The screws and washers are not included.

### A Visible mounting dimensions



### B



**Caution!**  
All installation and maintenance operations will be performed in absence of operating voltage and only by authorized personnel!



This symbol applied on the product complies with European Directive 2002/96/EC, regarding electrical and electronic waste products resulting from the dismantling and indicates that the product has a separate collection. To prevent the damage on the environment and human health, do not dispose this product as unsorted waste. For a safe recycling, the electric and electronic equipment end-users must contact the local authorities for details concerning a safe recycling.

# IEV-08 LED GEN2 - visible mounting

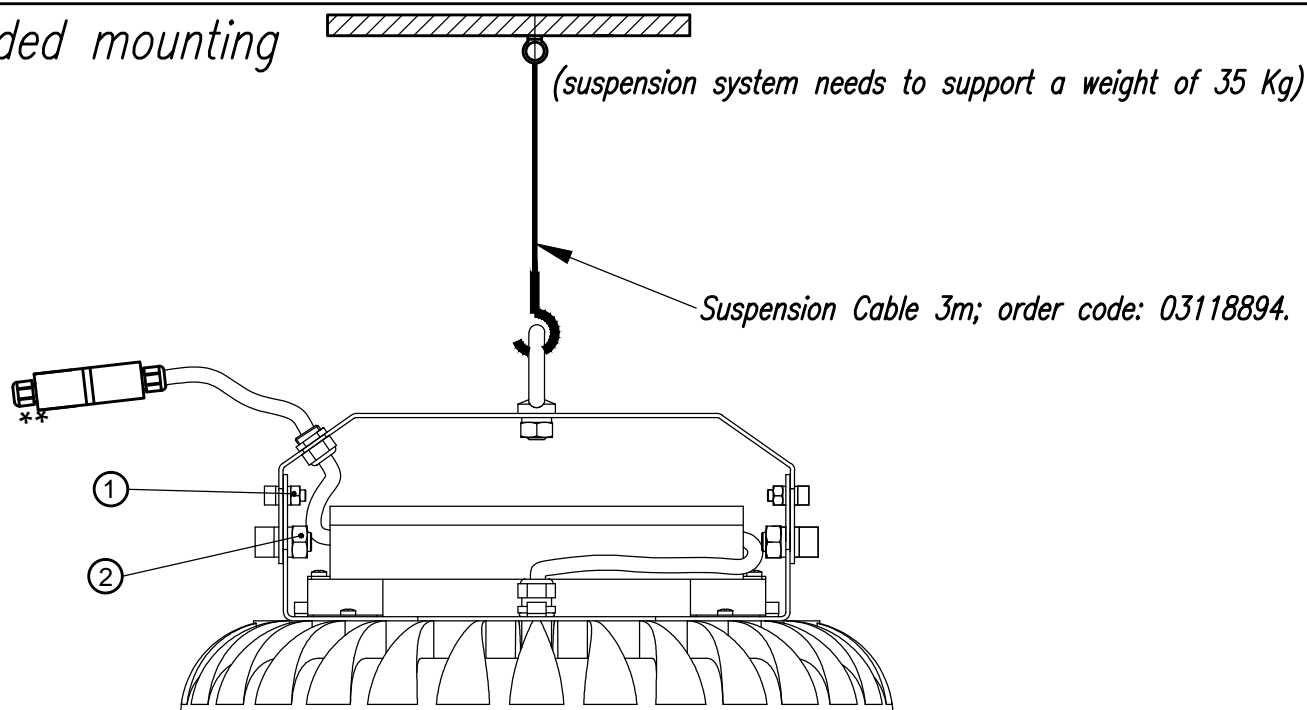
## Mounting and operating instructions



Compliance:

IEV-08 GEN2 192LED/2.4 840 LC	●	-40°C...+50°C	6,6 kg	~230V	92W	65	LED	●	0.96	0.11m <sup>2</sup>	IK 08	●	EN 60598-1/2-5
IEV-08 GEN2 256LED/2.8 840 LC	●	-40°C...+50°C	6,6 kg	~230V	146W	65	LED	●	0.96	0.11m <sup>2</sup>	IK 08	●	EN 60598-1/2-5

### **C** Suspended mounting



\*\* – For mains connection please follow the instructions from Annex 1 (Page 3).

- ① DIN934 M6 nut is tightened to the torque 8 Nm to ensure continuity of mechanical earthing connection!
- ② DIN934 M10 nut is tightened to the torque 17 Nm to ensure continuity of mechanical earthing connection!

### Caution!

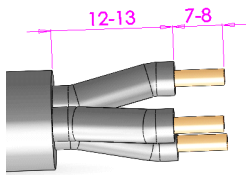
All installation and maintenance operations will be performed in absence of operating voltage and only by authorized personnel!



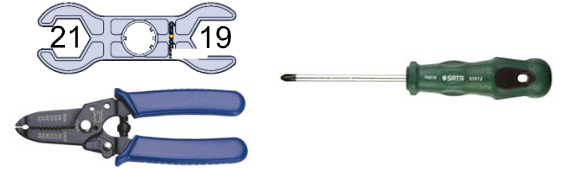
This symbol applied on the product complies with European Directive 2002/96/EC, regarding electrical and electronic waste products resulting from the dismantling and indicates that the product has a separate collection. To prevent the damage on the environment and human health, do not dispose this product as unsorted waste. For a safe recycling, the electric and electronic equipment end-users must contact the local authorities for details concerning a safe recycling.

# Annex 1 - Connecting to mains through fast connector with IP68 protection

## 1. Wire Stripping

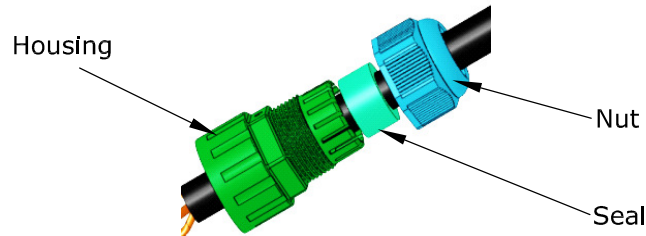


1.1 Cable type: H05RN-F 3x0,75±2,5mm<sup>2</sup>, thickness  $\Phi 7 \div \Phi 9,5\text{mm}$ ;  
1.2 Tools: Wire stripper, Screwdriver, 19mm/21mm Wrench.

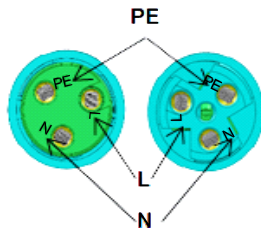


## 2. Installing cable into connector

### 2.1 Insert the cable through connector:

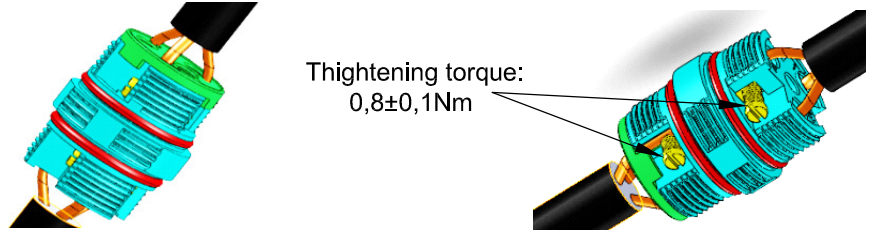


### 2.2 Connect the wires to corresponding terminals:

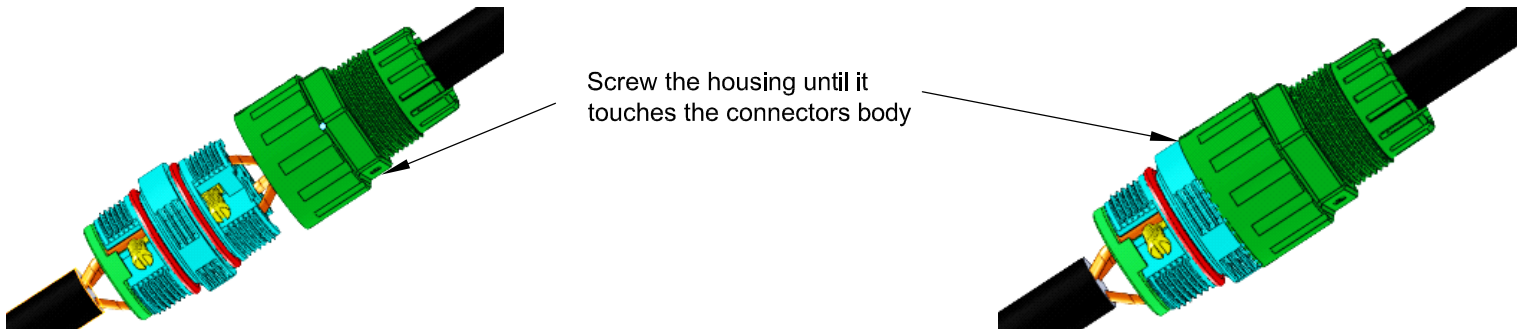


Mains connection:  
L = Line  
N = Neutral  
PE=Ground

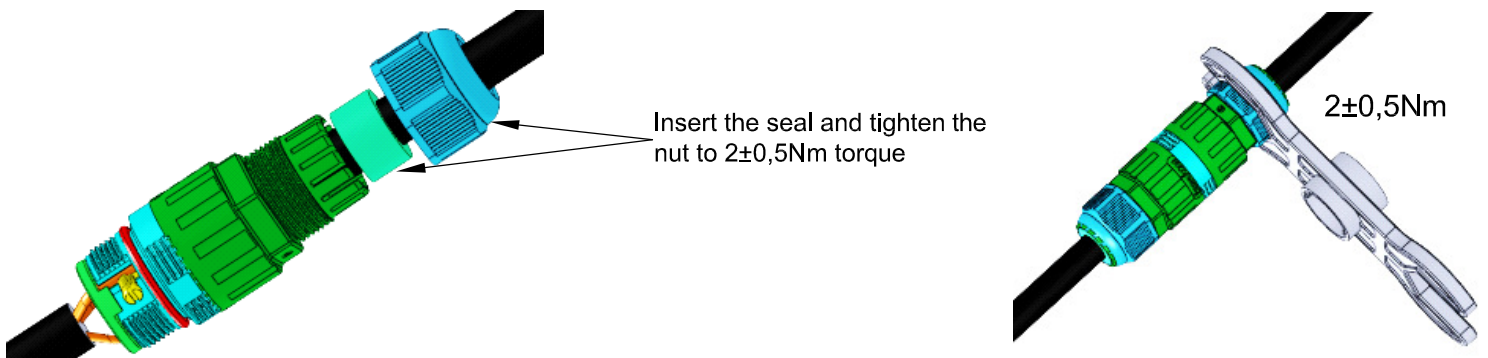
Tightening torque:  
 $0,8 \pm 0,1\text{Nm}$



### 2.3 Screw Housing to Body:



### 2.4 Insert the seal into the housing and tighten the nut at torque:



### 2.5 Installing the cable into connector is identical on both sides

 This symbol applied on the product complies with European Directive 2002/96/EC, regarding electrical and electronic waste products resulting from the dismantling and indicates that the product has a separate collection. To prevent the damages on the environment and human health, do not dispose of this product as unsorted waste. For a safe recycling, the electric and electronic equipment end-users must contact the local authorities for details concerning a safe recycling.