

Indoor luminaire. Downlight

PSHM-03 Cliper


PSHM-03-70W, PSHM-03-150W Cliper



About the product

Indoor luminaire for recessed mounting designed for indoor lighting.



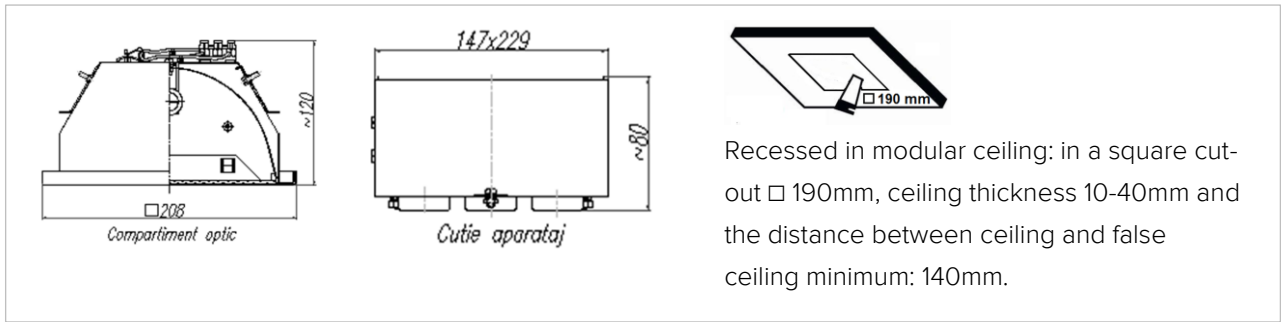
EN 60598	RoHS	IP40		-5°C ÷ +35°C	70W, 150W HIT-DE Rx7S
----------	------	------	---	--------------	-----------------------

Application

General indoor lighting for commercial spaces, public buildings, hotels, restaurants, exhibition rooms.

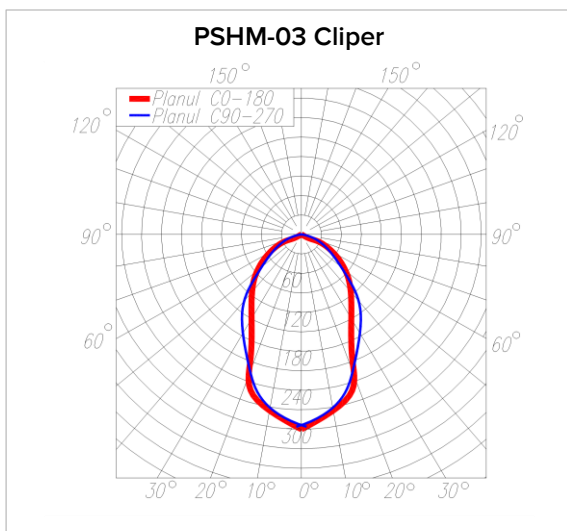
Light source

- Double-ended metal halide lamp type LHL (MHN-TD 70W/150W PHILIPS), Rx7s



Recessed in modular ceiling: in a square cut-out \square 190mm, ceiling thickness 10-40mm and the distance between ceiling and false ceiling minimum: 140mm.

Product type	L [mm]	l [mm]	h [mm]	m [mm]
PSHM-03 Cliper	208	208	157	\square 190
Gear box	229	147	80	



Photometric data PSHM-03 Cliper

Light distribution diagram [Cd/1000lm]

Description

- Steel sheet housing and frame white painted with powder.
- In the housing there are mounted the reflector and the sockets.
- In the frame there is mounted the protective glass, and the frame with glass is mounted on the housing with two decorative screws M4.
- Gear box made of painted steel sheet contains the gear for the lamp, according to the lamp power.
- Gear included in the product and manufactured according to the specific standards.
- Colour: white.

Mounting

- Recessed in modular ceiling:
 - in a square cut-out □ 190mm,
 - ceiling thickness 10-40mm and
 - the distance between ceiling and false ceiling minimum: 140mm.

Technical features

- Rated voltage: 230V/50Hz.
- Surrounding temperature: $-5^{\circ}\text{C} \div + 35^{\circ}\text{C}$.
- Relative humidity: till 80% at the temperature of $+ 20^{\circ}\text{C}$
- Jolt resistance: 1000 ± 10 jolts, acceleration of 10g, duration of impulse: 16ms, according to SR EN 60068-2-29.
- The luminaire is manufactured according to the requirements of the luminaire standards SR EN 60598-1, SR EN 60598-2-2.

Compliance with the European Directives

- Low Voltage Directive.
- Electromagnetic Compatibility Directive.
- RoHS Directive, WEEE Directive.

The product could be realised in more variants functions of the power.

Product type	Rated voltage [V]	Rated power [W]	Protection degree	Class of protection against electric shock	Weight [Kg]
PSHM-03-70W	230	1x70	IP40	I	3.9
PSHM-03-150W	230	1x150	IP40	I	3.9

S.C. ELBA S.A improves continuously its products. We reserve the right to change the specifications in the interest of improving our products without prior notifications or public announcement. © S.C. ELBA S.A.